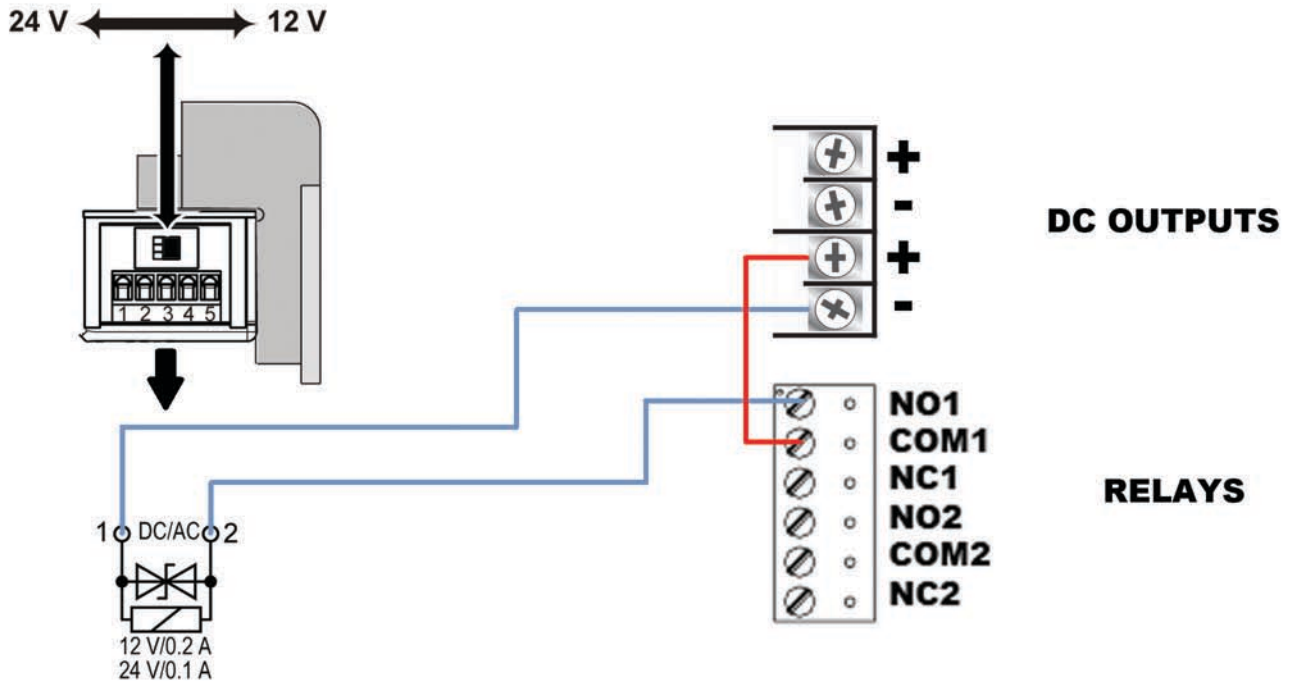


LS-100 STRIKE WIRING DIAGRAM

(NOT POLARITY SENSITIVE)



LS-200 STRIKE WIRING DIAGRAM

(NOT POLARITY SENSITIVE)

